

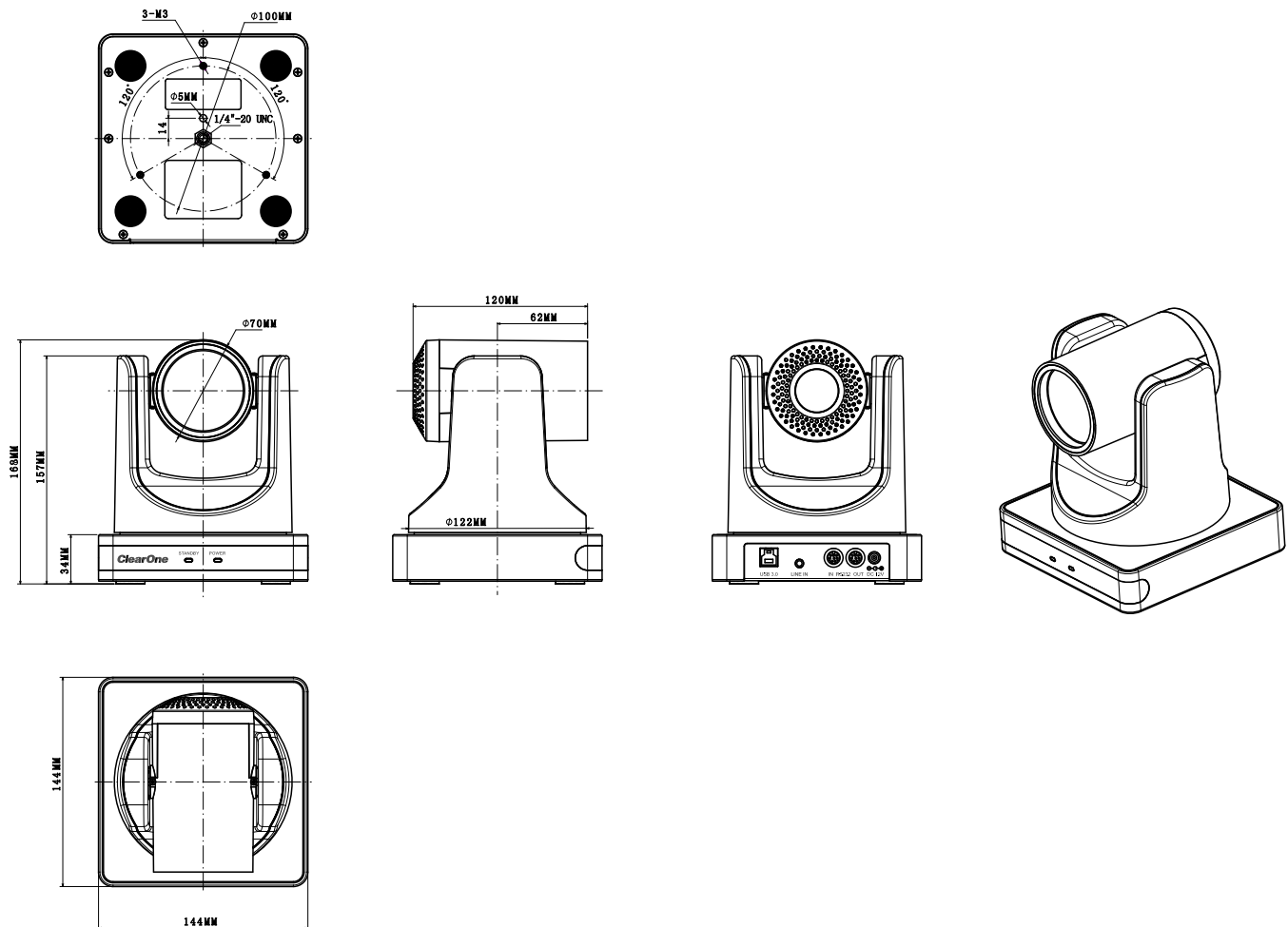
## SPEC SHEET

UNITE® 150 Camera, 910-2100-004

### UNITE 150 CAMERA SPECIFICATION SHEET

This Specification Sheet illustrates and details the dimensions of the ClearOne UNITE 150 camera model 910-2100-004.

#### Camera Dimensions



#### CLEARONE LOCATIONS

##### Headquarters

5225 Wiley Post Way  
Suite 500  
Salt Lake City, UT 84116

##### US & Canada

Tel: 801.975.7200  
Toll Free: 800.945.7730  
Fax: 801.303.5711

##### International

Tel: +1.801.975.7200  
e-mail:  
global@clearone.com

##### Sales

Tel: 801.975.7200  
e-mail:  
sales@clearone.com

##### TechSupport

Tel: 801.974.3760  
e-mail:  
collaborate.support@clearone.com