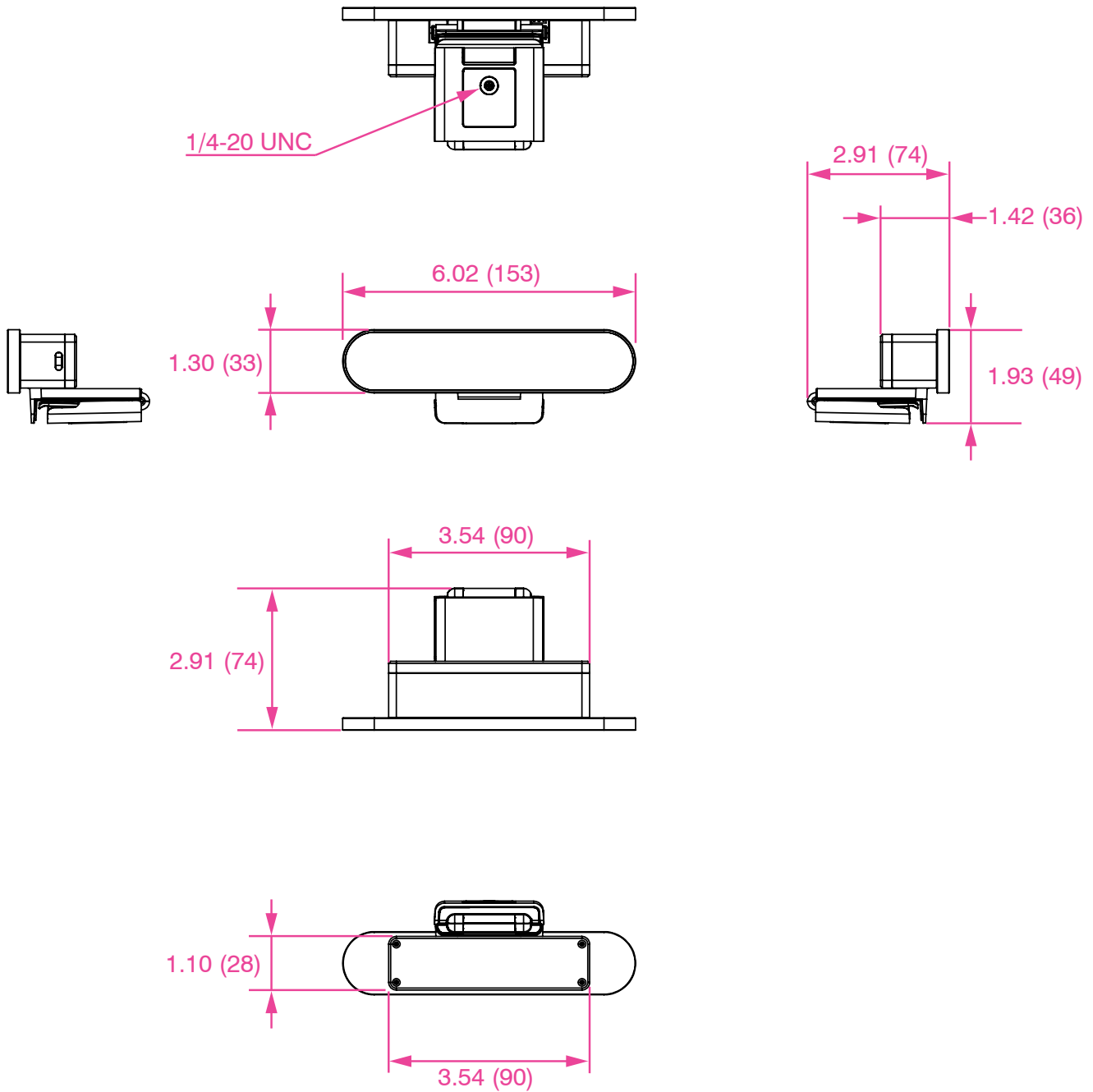




UNITE® 50 4K AF ePTZ Camera
 Part No: 910-2100-008

Measurements are in
 Inches (Millimeters)



SALES AND INQUIRIES

Headquarters

5225 Wiley Post Way Suite 500
 Salt Lake City, UT 84116

Headquarters

Main: +1.801.975.7200

Sales

Tel: +1.801.975.7200
sales@clearone.com

Tech Support

Tel: +1.801.974.3760
videotechsupport@clearone.com